

FEATURES

- ▶ Ultra Compact Size 1.5 x 1.0 x 0.6"
- ▶ Fully Encapsulated Module for PCB Mounting
- ▶ Universal Input 85-264VAC, 47-440Hz
- ▶ I/O Isolation 4000VAC with Reinforced Insulation
- ▶ No Min. Load Requirement
- ▶ Operating Ambient Temp. Range -25°C to +70°C
- ▶ Overload/Voltage and Short Circuit Protection
- ▶ EMI Emission EN 55032/14-1 Class B Approved
- ▶ EMC Immunity EN 61000-4-2,3,4,5,6,8,11 Approved
- ▶ Eco Design, Low No Load Power Consumption < 150mW
- ▶ Safety Approval to UL/cUL/IEC/EN 62368-1(60950-1), TUV IEC/EN 60335-1 & CE Marking


PRODUCT OVERVIEW

The ACF-10 Series is a range of ultra-small, fully encapsulated 10 Watt AC-DC power supply modules. They are designed for easy PCB mounting featuring measuring only 1.5"x1"x0.6". The ACF-10 series consist 7 models featuring universal AC input (85-264VAC) and fixed regulated single output voltage ranging from 3.3-48VDC; 4000VAC isolation with reinforced insulation; EMI emission EN 55032/14-1 Class B approved; EMC immunity EN 61000-4-2,3,4,5,6,8,11 approved; no minimum load requirement; short circuit / overload / overvoltage protection and low stand-by power consumption.

Model Selection Guide

Model Number	Output Voltage VDC	Output Current		Input Current		Max. capacitive Load µF	Efficiency (typ.) %
		Max. mA	Peak ₍₁₎ mA	115VAC, 60Hz	230VAC, 50Hz		
				@Max. Load mA(typ.)			
ACF-10S03	3.3	2600	3380	186	121	4400	77
ACF-10S05	5	2000	2600	209	136	2200	80
ACF-10S09	9	1100	1440	199	130	680	83
ACF-10S12	12	830	1080	198	129	390	84
ACF-10S15	15	660	860	197	128	240	84
ACF-10S24	24	410	530	191	124	100	86
ACF-10S48	48	210	270	201	130	24	84

Input Specifications

Parameter	Conditions / Model	Min.	Typ.	Max.	Unit
Input Voltage Range	All Models	85	---	264	VAC
Input Frequency Range		47	---	440	Hz
Input Voltage Range		120	---	370	VDC
No-Load Power Consumption		---	---	0.15	W
Inrush Current (Cold Start at 25°C)	115VAC	---	---	20	A
	230VAC	---	---	40	A

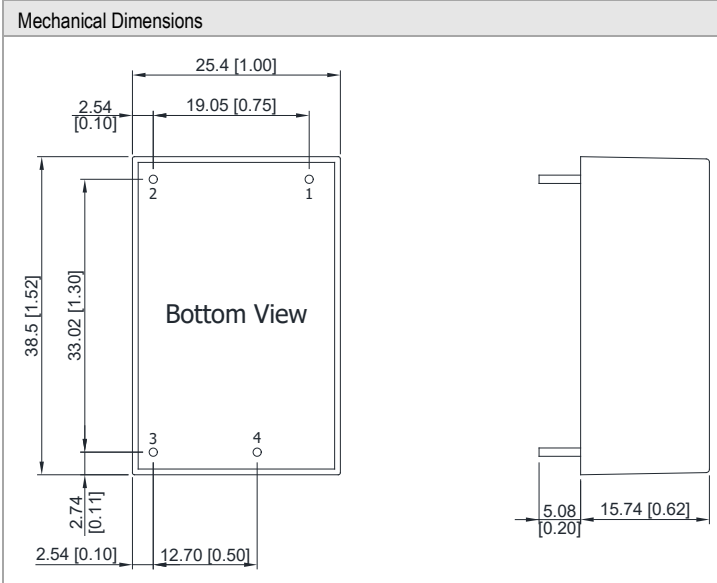
Output Specifications						
Parameter	Conditions / Model	Min.	Typ.	Max.	Unit	
Output Voltage Setting Accuracy		---	±1.0	±2.0	%	
Line Regulation	Vin=Min. to Max. @Full Load	---	---	±0.5	%	
Load Regulation	Io=0% to 100%	---	---	±1.0	%	
Minimum Load	No minimum Load Requirement					
Ripple & Noise	0-20 MHz Bandwidth	3.3V & 5VDC Output Models	---	---	60	mV _{P-P}
		Other Output Models	---	---	1	%V _{PP} of Vo
Over Voltage Protection	Zener diode clamp	---	125	---	% of Vo	
Temperature Coefficient		---	±0.01	±0.02	%/°C	
Over Load Protection	Foldback, auto-recovery (long term overload condition may cause damage)	---	150	---	%I _{nom} .	
Short Circuit Protection	Hiccup mode, Automatic Recovery					

General Specifications						
Parameter	Conditions	Min.	Typ.	Max.	Unit	
I/O Isolation Voltage	60 Seconds	4000	---	---	VAC	
I/O Isolation Resistance	500 VDC	1000	---	---	MΩ	
Switching Frequency		---	45	---	kHz	
Hold-up Time	115VAC, 60Hz	---	8	---	ms	
	230VAC, 50Hz	---	40	---	ms	
MTBF (calculated)	MIL-HDBK-217F@25°C, Ground Benign	452,916	---	---	Hours	
Safety Approvals	UL/cUL 60950-1 recognition(UL certificate), IEC/EN 60950-1(CB-report)					
	UL/cUL 62368-1 recognition(UL certificate), IEC/EN 62368-1(CB-report)					
	IEC/EN 60335-1 recognition(TUV certificate,CB-report)					

EMC Specifications				
Parameter	Standards & Level			Performance
EMI	Conduction	EN 55014-1, EN 55032	Without external components	Class B
	Radiation			
EMS	EN 55014-2, EN 55024			
	ESD	EN 61000-4-2 Air ± 8kV , Contact ± 6kV		A
	Radiated immunity	EN 61000-4-3 10V/m		A
	Fast transient	EN 61000-4-4 ±2kV		A
	Surge	EN 61000-4-5 ±1kV		A
	Conducted immunity	EN 61000-4-6 10Vrms		A
	PFMF	EN 61000-4-8 30A/m		A
	Dips	EN 61000-4-11 30% 10ms		A
	Interruptions	EN 61000-4-11 >95% 5000ms		B

Environmental Specifications					
Parameter	Conditions	Min.	Max.	Unit	
Operating Ambient Temperature Range		-25	+70	°C	
Power Derating	+50°C to +70°C	0.25		W / °C	
Storage Temperature Range		-40	+85	°C	
Humidity (non condensing)		---	95	% rel. H	
Lead Temperature (1.5mm from case for 10Sec.)		---	260	°C	

Notes	
1	Peak load lasting <30s with a maximum duty cycle of 10%, average output power not to exceed maximum power.
2	All specifications typical at Ta=+25°C, resistive load, 115VAC, 60Hz input voltage and after warm-up time rated output current unless otherwise noted.
3	We recommend to protect the converter by a slow blow fuse in the input supply line.
4	Other input and output voltage may be available, please contact MINMAX.
5	Specifications are subject to change without notice.

Package Specifications


Pin Connections

Pin	Function	Diameter mm (inches)
1	AC(N)	∅ 1.0 [0.04]
2	AC(L)	∅ 1.0 [0.04]
3	-Vout	∅ 1.0 [0.04]
4	+Vout	∅ 1.0 [0.04]

- ▶ All dimensions in mm (inches)
- ▶ Tolerance: ± 0.5 (± 0.02)
- ▶ Pin pitch tolerance: ± 0.25 (± 0.01)
- ▶ Pin diameter tolerance: $X.X \pm 0.1$ ($X.XX \pm 0.004$)

Physical Characteristics

Case Size	: 38.5x25.4x15.74mm (1.52x1.00x0.62 inches)
Case Material	: Plastic resin (flammability to UL 94V-0 rated)
Pin Material	: Copper Alloy
Weight	: 29g