

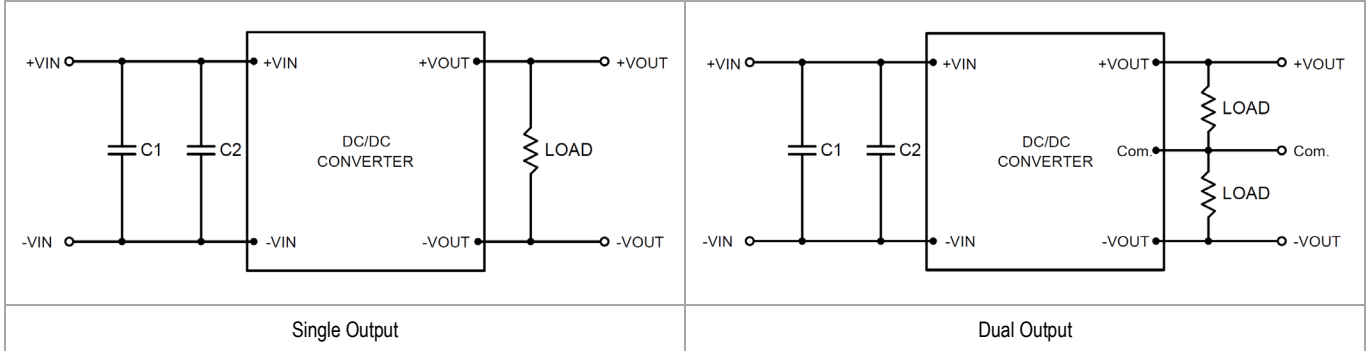


MINMAX[®]

MAU100 Series - EMC Notes

MAU100 Series - EMC Notes

External Filter meets Conducted EMI EN 55022, class A; FCC part 15, level A



Model	C1	C2
MAU10X	4.7 μ F/16V 1206 MLCC	---
MAU11X	10 μ F/25V 1206 MLCC	---
MAU12X, MAU15X	4.7 μ F/50V 1206 MLCC	4.7 μ F/50V 1206 MLCC