

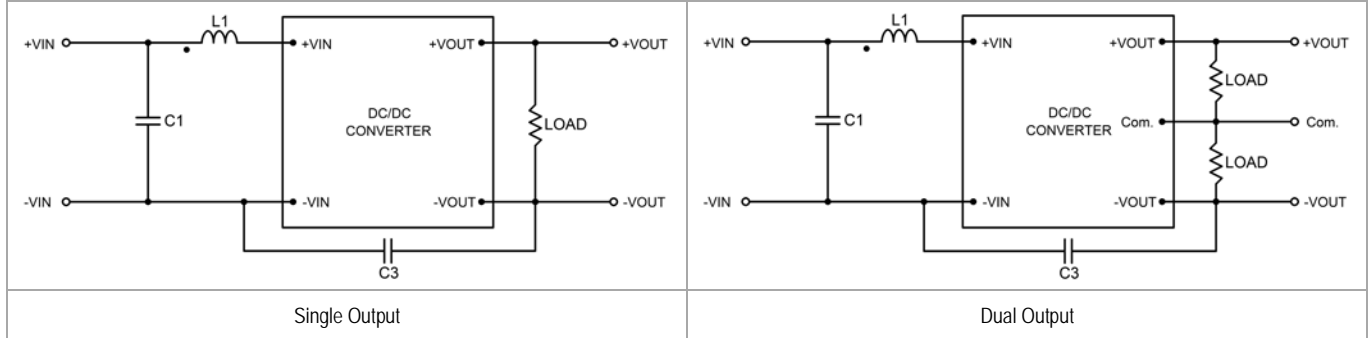


**MINMAX<sup>®</sup>**

MCW03 Series - EMC Notes

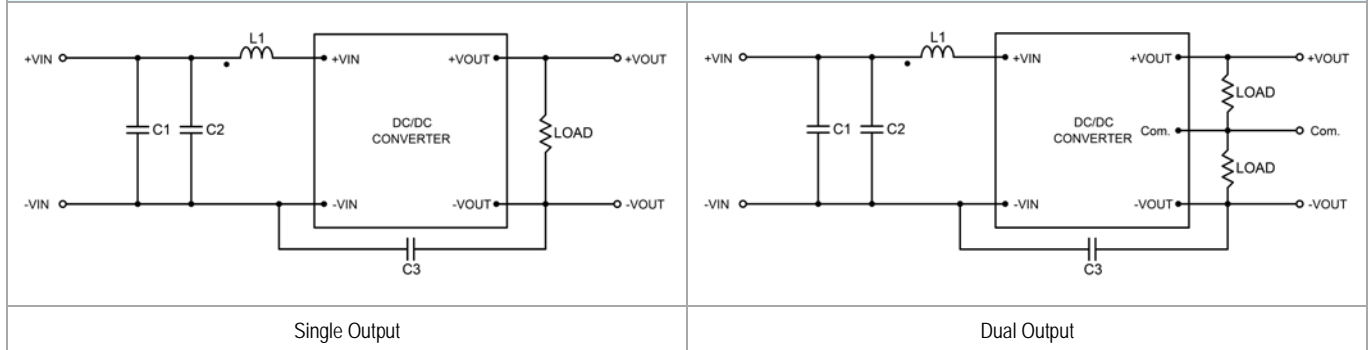
# MCW03 Series - EMC Notes

## External Filter meets Conducted EMI EN 55022 , class A; FCC part 15 ,level A



Model	Class A		
	C1	L1	C3
MCW03-05XXX	10 $\mu$ F/25V 1206 X7R	3.3 $\mu$ H/2A SCD0403T	470pF/2kV 1808 X7R
MCW03-12XXX	4.7 $\mu$ F/25V 1206 X7R	3.3 $\mu$ H/2A SCD0403T	470pF/2kV 1808 X7R
MCW03-24XXX	4.7 $\mu$ F/50V 1812 X7R	12 $\mu$ H/0.75A SR0302T	470pF/2kV 1808 X7R
MCW03-48XXX	1 $\mu$ F/100V 1812 X7R	88 $\mu$ H/1.42A SCD0403T	470pF/2kV 1808 X7R

## External Filter meets Conducted EMI EN 55022 , class B; FCC part 15 ,level B



Model	Class A			
	C1	C2	L1	C3
MCW03-05XXX	10 $\mu$ F/25V 1210 X7R	10 $\mu$ F/25V 1210 X7R	3.3 $\mu$ H/2A SCD0403T	2200pF/2kV 1808 X7R
MCW03-12XXX	10 $\mu$ F/25V 1210 X7R	10 $\mu$ F/25V 1210 X7R	3.3 $\mu$ H/2A SCD0403T	2200pF/2kV 1808 X7R
MCW03-24XXX	10 $\mu$ F/50V 2220 X7R	---	27 $\mu$ H/0.71A SCD0403T	1000pF/2kV 1808 X7R
MCW03-48XXX	4.7 $\mu$ F/100V 2220 X7R	---	88 $\mu$ H/1.42A SCD0403T	1000pF/2kV 1808 X7R