

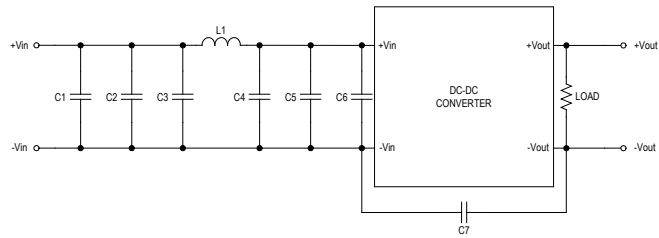


MINMAX[®]

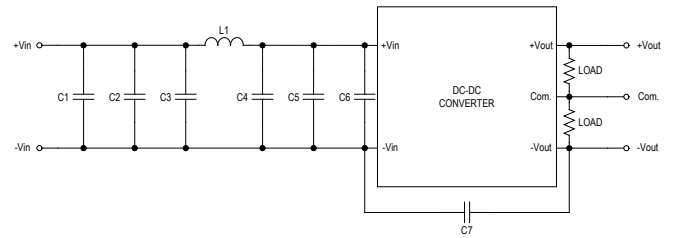
MCWI05 Series - EMC Notes

MCWI05 Series - EMC Notes

External Filter meets EMI EN 55022, class A



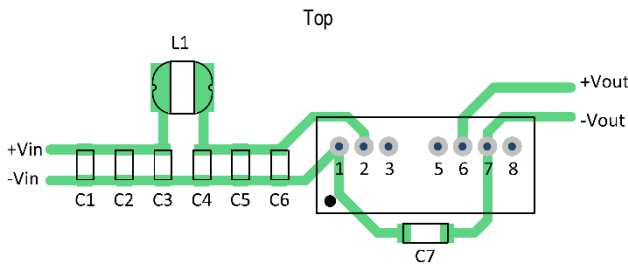
Single Output



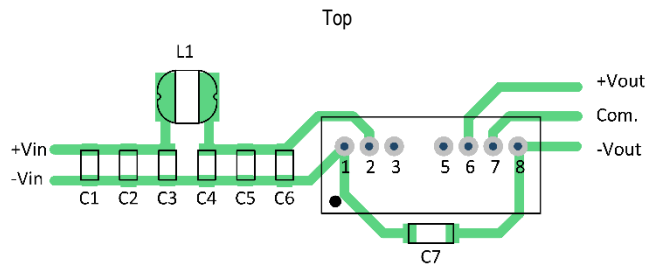
Dual Output

Model	C1	C2	C3	L1	C4	C5	C6	C7
MCWI05-12Vin	---	10 μ F/25V 1206	10 μ F/25V 1206	2.7 μ H SCD0504T	10 μ F/25V 1206	10 μ F/25V 1206	---	220pF/2kV 1808
MCWI05-24Vin	2.2 μ F/50V 1206	2.2 μ F/50V 1206	2.2 μ F/50V 1206	3.3 μ H SCD0504T	2.2 μ F/50V 1206	2.2 μ F/50V 1206	2.2 μ F/50V 1206	680pF/2kV 1808
MCWI05-48Vin	---	1 μ F/100V 1206	1 μ F/100V 1206	39 μ H SCD0504T	1 μ F/100V 1206	1 μ F/100V 1206	---	100pF/2kV 1808

Recommended PCB Layout with Input Filter



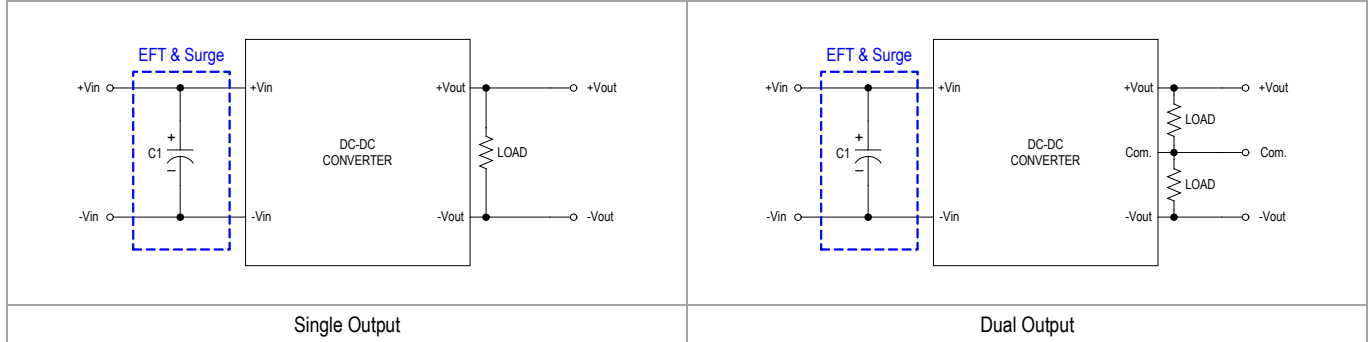
Single Output



Dual Output

MCWI05 Series - EMC Notes

External Filter meets EFT & Surge



Model	C1
MCWI05	330 μ F/80V CHEMI-CON KY Series

Recommended PCB Layout with Input Filter

