

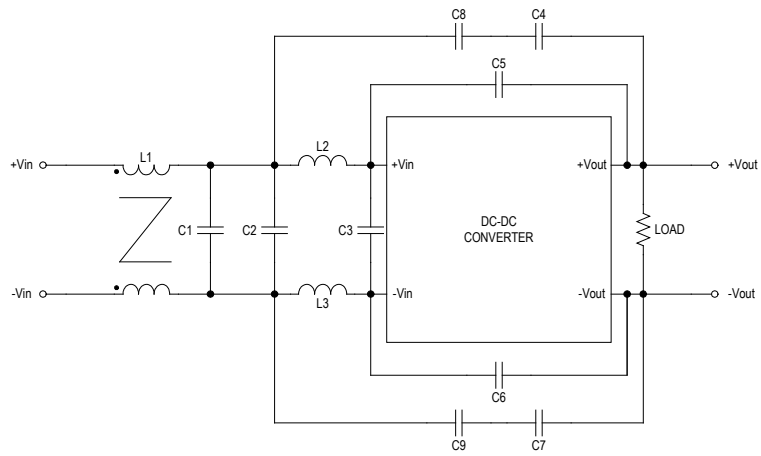


MINMAX[®]

MKW150 Series - EMC Notes

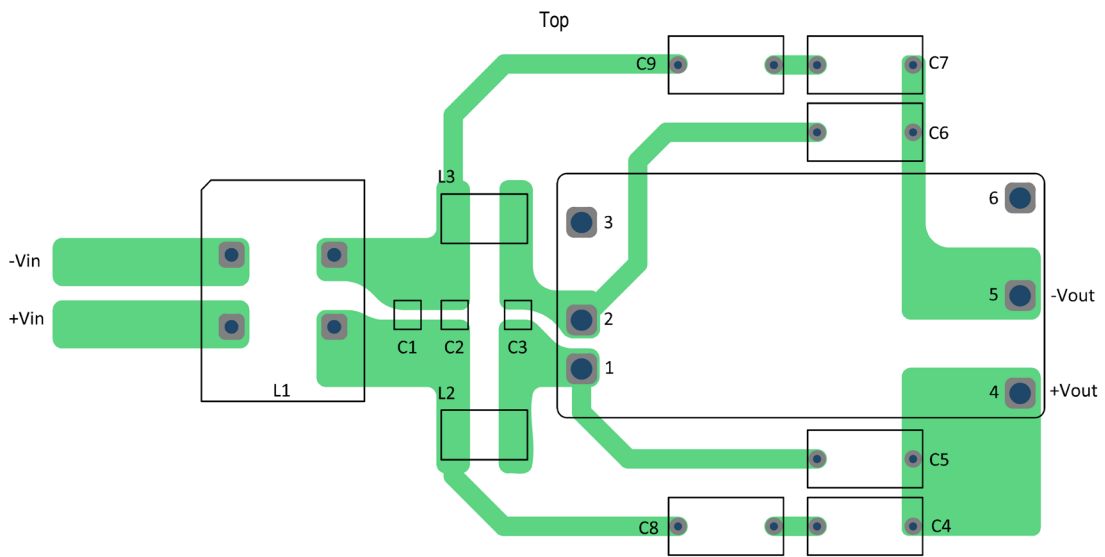
MKWI50 Series - EMC Notes

External Filter meets Conducted & Radiated EMI EN 55032, class A



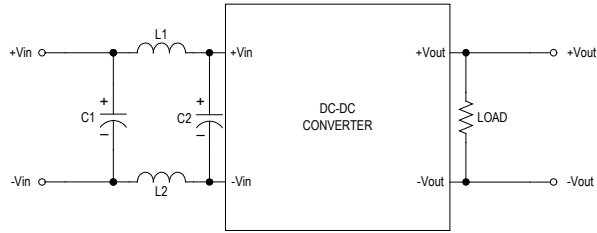
Model	L1	C1, C3	L2, L3	C2	C4, C5, C6, C7	C8, C9
MKWI50 Series	1mH/15A/3.3mΩ 7448031501	4.7μF/100V 1210	100MHz/5A/580Ω 7427512	3.3μF/100V 1210	3300pF/400VAC Y1 Cap.	2200pF/400VAC Y1 Cap.

Recommended PCB Layout with Input Filter



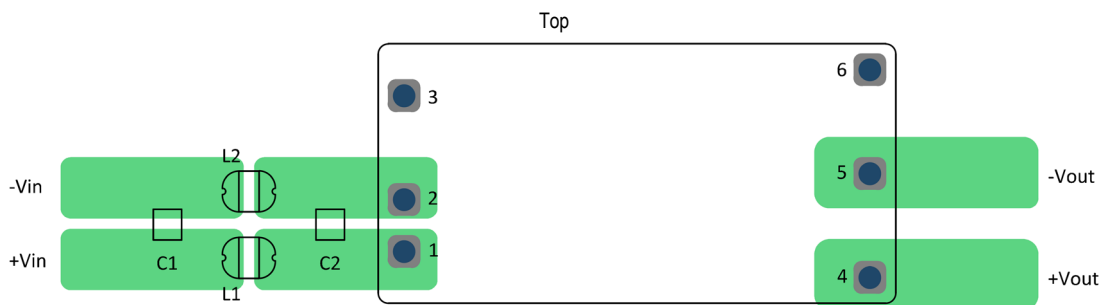
MKWI50 Series - EMC Notes

External Filter meets EFT & Surge EMS EN 55024/35, criteria A



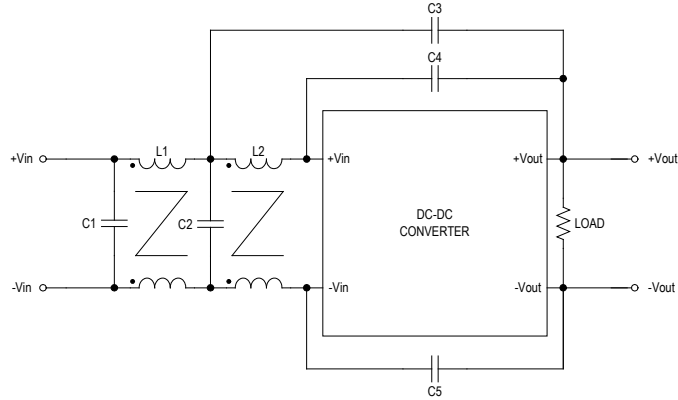
Model	L1, L2	C1	C2
MKWI50-24SXXX	---	1200 μ F/50V CHEMI-CON KY Series	---
MKWI50-48SXXX	4.7 μ H/2.46A 744773047	560 μ F/100V CHEMI-CON KY Series	560 μ F/100V CHEMI-CON KY Series

Recommended PCB Layout with Input Filter



MKWI50 Series - EMC Notes

External Filter meets Conducted EMI EN 55032, class B



Model	C1, C2	L1	L2	C3	C4, C5
MKWI50 Series	3.3 μ F/100V 1210	1mH/6A/13m Ω 744823601	9mH/5A/28m Ω 7448030509	1000pF/400VAC Y1 Cap.	2200pF/400VAC Y1 Cap.

Recommended PCB Layout with Input Filter

