

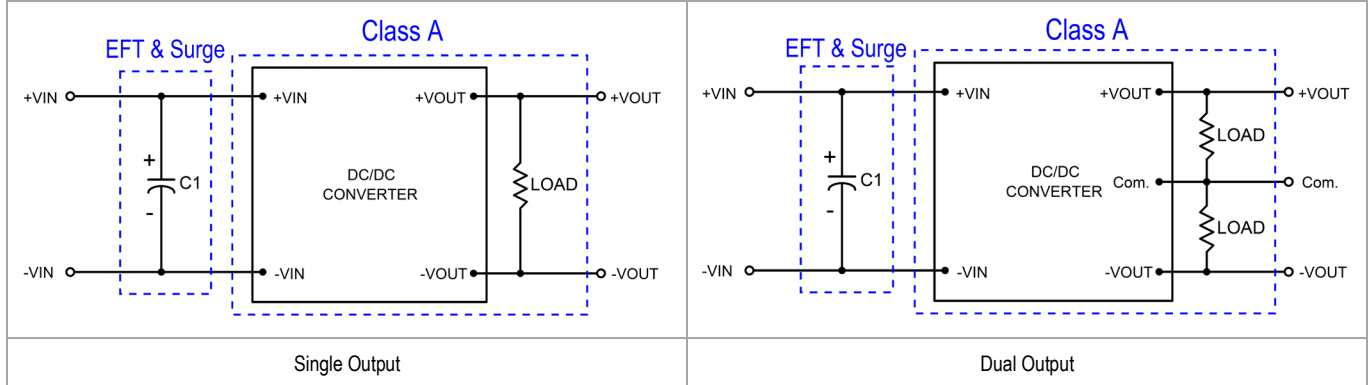


MINMAX[®]

MSCU01M Series - EMC Notes

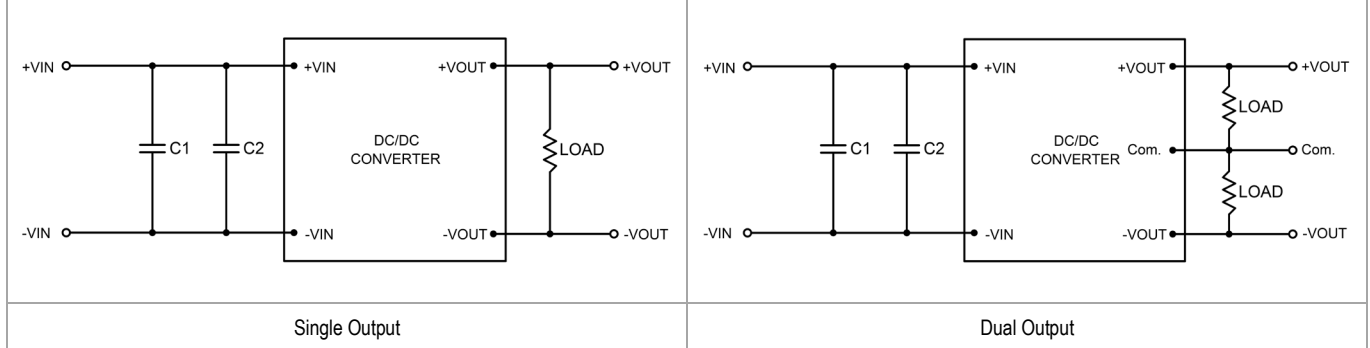
MSCU01M Series - EMC Notes

External Filter meets EFT & Surge



Model	EFT & Surge	
	C1	
MSCU01-05XXXM	3900 μ F/10V	CHEMI-CON KY Series
MSCU01-12XXXM	2200 μ F/16V	CHEMI-CON KY Series
MSCU01-24XXXM	470 μ F/50V	CHEMI-CON KY Series

External Filter meets Conducted EMI EN 55011, class A; FCC part 15 ,level A



Model	Class A	
	C1	C2
MSCU01-05XXXM	68 μ F/10V 1206 NPO	---
MSCU01-12XXXM	47 μ F/25V 1206 X5R	47 μ F/25V 1206 X5R
MSCU01-24XXXM	22 μ F/35V 1206 X5R	22 μ F/35V 1206 X5R