

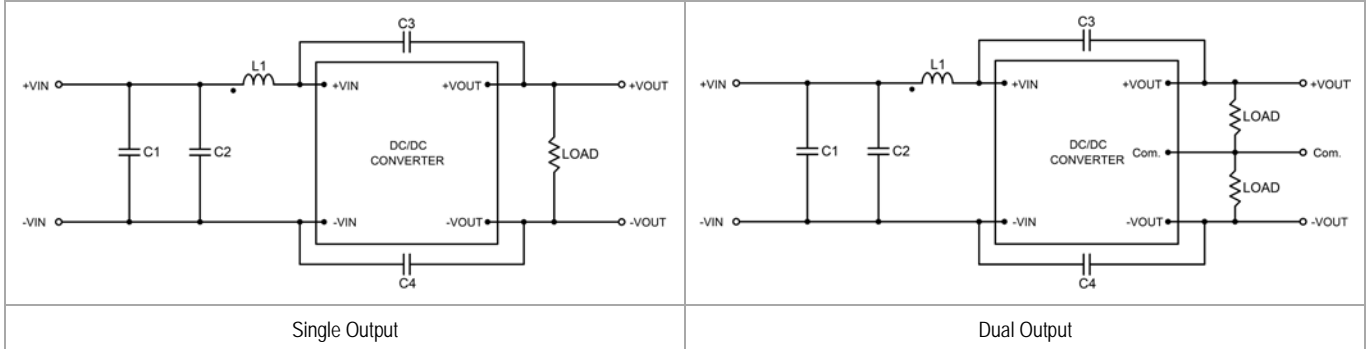


MINMAX[®]

MSDWI03 Series - EMC Notes

MSDWI03 Series - EMC Notes

External Filter meets Conducted EMI EN 55022 , class B; FCC part 15 ,level B



Model	Class A		
	C1, C2	L1	C3, C4
MSDWI03-24XXX	10 μ F/50V 1812 Y5V	27 μ H SCD0403T-270	470pF/2kV 1808 X7R
MSDWI03-48XXX	1 μ F/100V 1812 X7R	88 μ H SCD0403T-880	2200pF/2kV 1808 X7R